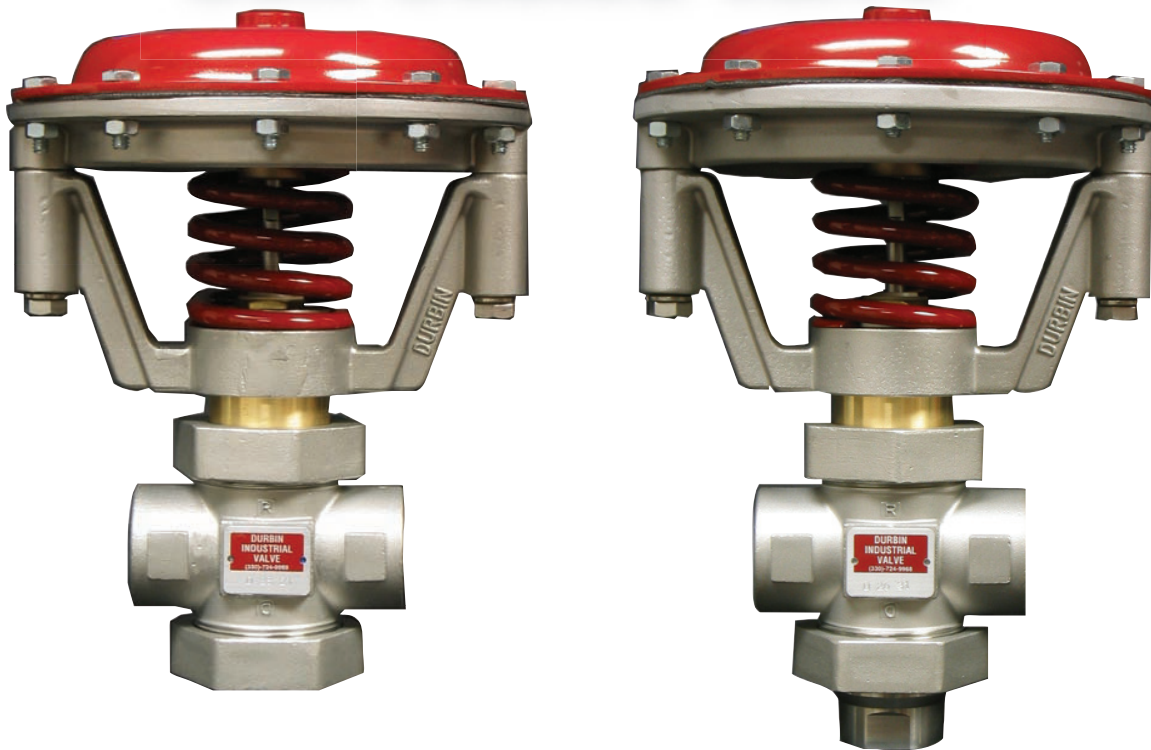




DURBIN

INDUSTRIAL VALVE, INC.

2-Way and 3-Way Soft-Seated Valve



Media Uses:

- Air, cold water, hot water, inert gases, steam, or vacuum service

Features:

- Soft Seated positive shut off directional valve
- System pressures: up to a maximum of 500 psi (34 bar)
- Diaphragm Pilot air pressure maximum: 40 psi (2.8 bar)
- Offered in In-line & Angled Porting
- Offered in Normally Open, Normally Closed, or Mixing Valve
- Available ports in Standard NPT & BSP threads
- System temperature ranges -40°F to 450°F (-40°C to 231°C)
- Wetted components constructed of cast bronze & machined corrosion resistant stainless steel
- Valve seal has an engineered sealing edge that will allow creep over time, but will not leak

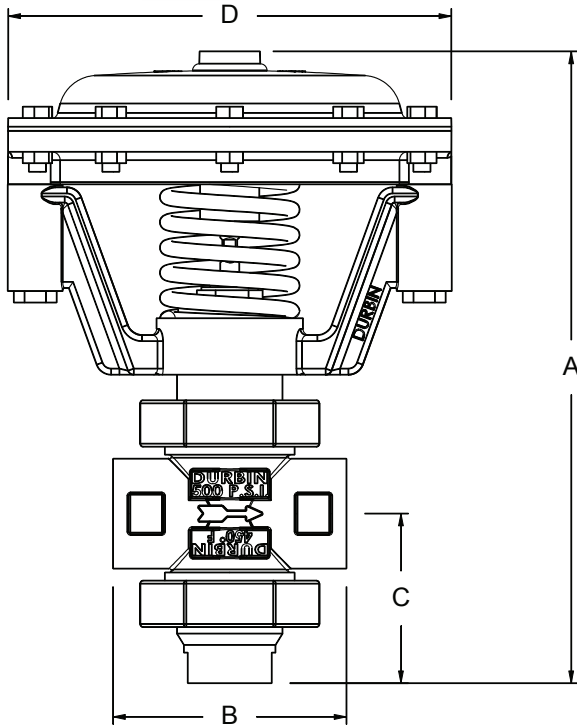
Benefits:

- Re-buildable valve; rebuild services offered by Durbin Industrial Valve, Inc., or field serviceable with Durbin Industrial Valve, Inc. Rebuild Kits
- Superior materials; more corrosion resistant materials that offer longer valve life
- Engineered for harsher applications; improved seal & seat materials

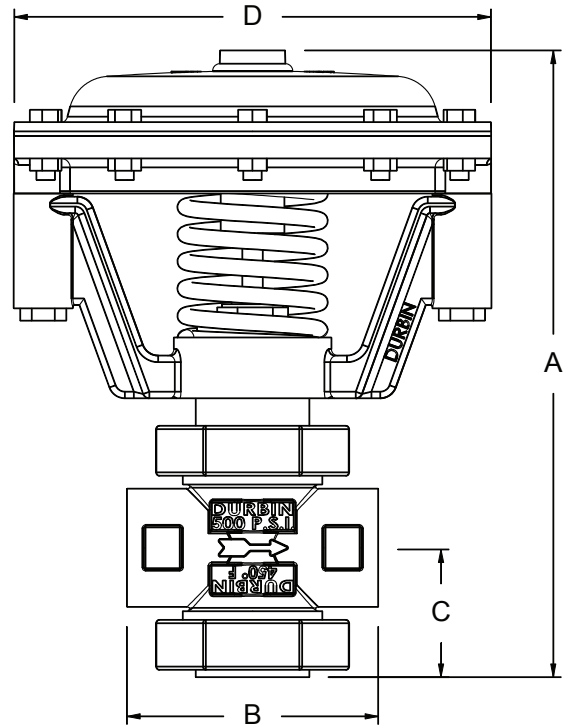


DURBIN

INDUSTRIAL VALVE, INC.



3-W NC NPT 500 PSI



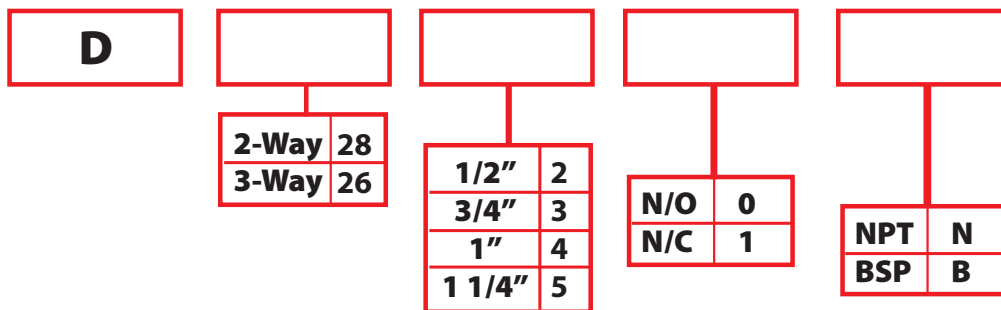
2-W NC NPT 500 PSI

ITEM		1/2"	3/4"	1"	1-1/4"
A	IN	10 1/2"	10 1/2"	12"	12"
B	IN	3 3/4"	3 3/4"	4 1/4"	4 1/4"
C	IN	2 3/4"	2 3/4"	3"	3"
D	IN	7"	7"	9 1/2"	9 1/2"

ITEM		1/2"	3/4"	1"	1-1/4"
A	IN	9 1/2"	9 1/2"	11 3/4"	11 3/4"
B	IN	3 3/4"	3 3/4"	4 1/4"	4 1/4"
C	IN	1 3/4"	1 3/4"	2 1/4"	2 1/4"
D	IN	7"	7"	9 1/2"	9 1/2"

Ordering Information

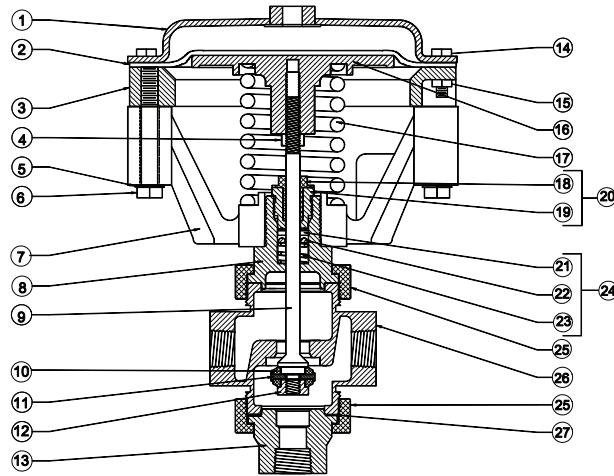
Example: D-2631= 3/4", 3-Way, Normally Closed, 500psi Valve with NPT threaded ports





DURBIN

INDUSTRIAL VALVE, INC.



3-WAY N/C 500 PSI					
	VALVE NUMBER	D26-21	D26-31	D26-41	D26-51
	Cv RATING	Cv 12.5	Cv 16	Cv 23.5	Cv 30.25
ITEM	DESCRIPTION	PART #	PART #	PART #	PART #
1	LID	C293-023D	C293-023D	C293-030D	C293-030D
2*	DIAPHRAGM	C333-053D	C333-053D	C333-051D	C333-051D
3	RING S.S.	C893-014D	C893-014D	C893-022D	C893-022D
4	STEM HEX NUT	C133-008D	C133-008D	-	-
5	LOCK WASHER	H175-21D	H175-21D	H175-21D	H175-21D
6	HEX BOLT	H096-55D	H096-55D	H096-49D	H096-49D
7	YOKE S.S.	D283-025D	D283-025D	D283-062D	D283-062D
8	PACKING GLAND/ADAPTER	C113-058D	C113-058D	C013-008D	C013-008D
9	STEM	D093-024D	D093-024D	D093-025D	D093-025D
10*	SEAL (X2)	C343-12 VP	C343-12 VP	C343-35D	C343-35D
11	STEM WASHER	C353-012D	C353-012D	C353-013D	C353-013D
12	STEM NUT	C553-022D	C553-022D	C553-024D	C553-024D
13	BOTTOM SEAT	C963-032D	C963-050D	C963-053D	C963-051D
14	HEX BOLT	H096-10D	H096-10D	H096-10D	H096-10D
15	HEX NUT	H060-03D	H060-03D	H060-03D	H060-03D
16	DIAPHRAGM PISTON	C783-044D	C783-044D	C783-069D	C783-069D
17*	DIAPHRAGM SPRING	D293-028-5D	D293-028-5D	D293-147-5D	D293-147-5D
18	PACKING NUT BUSH	VP524	VP524	DF524	DF524
19	PACKING NUT	C853-092D	C853-092D	C563-009D	C563-009D
20	PACKING NUT ASSEMBLY	C853-090D	C853-090D	-	-
21*	PACKERS (X3)	C683-069D	C683-069D	H272-03D	H272-03D
22*	PACKING SPREADER	C713-012D	C713-012D	-	-
23*	PACKING SPRING	D293-104D	D293-104D	-	-
24	PACKING KIT	C242-015D	C242-015D	-	-
25	UNION NUTS S.S. (X2)	C663-022D	C663-022D	C663-026D	C663-026D
26	BODY S.S.	VP400	VP401	DB506	DB507
27*	BODY GASKET (X1)	C383-080D	C383-080D	C383-082D	C383-082D
	SERVICE KIT	D621	D631	D641	D651

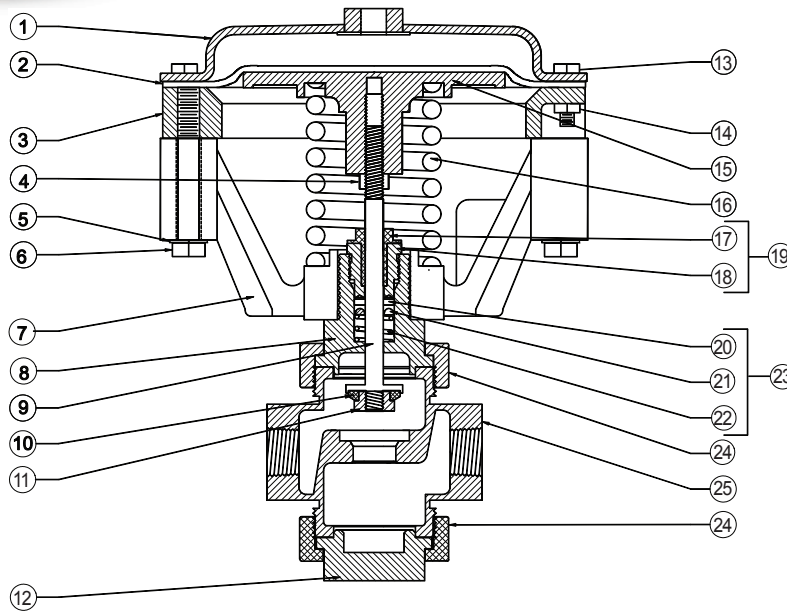
Cv Rating based on NPT threads • N/O is Normally Open and N/C is Normally Closed

Please contact us for more information at 330.724.9968 or visit us online at www.durbinvalve.com



DURBIN

INDUSTRIAL VALVE, INC.



2-WAY N/O 500 PSI					
	VALVE NUMBER	D28-20	D28-30	D28-40	D28-50
	Cv RATING	Cv 12.5	Cv 16	Cv 23.5	Cv 30.25
ITEM	DESCRIPTION	PART #	PART #	PART #	PART #
1	LID	C293-023D	C293-023D	C293-030D	C293-030D
2*	DIAPHRAGM	C333-053D	C333-053D	C333-051D	C333-051D
3	RING	C893-014D	C893-014D	C893-022D	C893-022D
4	STEM HEX NUT	C133-008D	C133-008D	-	-
5	LOCK WASHER	H175-21D	H175-21D	H175-21D	H175-21D
6	HEX BOLT	H096-55D	H096-55D	H096-48D	H096-48D
7	YOKE	D283-025D	D283-025D	D283-062D	D283-062D
8	PACKING GLAND	C113-058D	C113-058D	C013-008D	C013-008D
9	STEM	D093-028D	D093-028D	D093-034D	D093-034D
10*	SEAL	C343-12 VP	C343-12 VP	C343-35D	C343-35D
11	STEM NUT	C553-022D	C553-022D	C553-024D	C553-024D
12	BOTTOM CAP	C213-016D	C213-016D	C213-020D	C213-020D
13	HEX BOLT	H096-10D	H096-10D	H096-10D	H096-10D
14	HEX NUT	H060-03D	H060-03D	H060-03D	H060-03D
15	DIAPHRAGM PISTON	C783-044D	C783-044D	C783-069D	C783-069D
16*	DIAPHRAGM SPRING	D293-069D	D293-069D	D293-069D	D293-071D
17	PACKING NUT BUSHING	VP524	VP524	DF524	DF524
18	PACKING NUT	C853-092D	C853-090D	C563-009D	C563-009D
19	PACKING NUT ASSEMBLY	C853-092D	C853-092D	-	-
20*	PACKERS	C683-069D	C683-069D	H272-03D	H272-03D
21*	PACKING SPREADER	C713-012D	C713-012D	-	-
22*	PACKING SPRING	D293-104D	D293-104D	-	-
23	PACKING KIT	C242-015D	C242-015D	-	-
24	UNION NUTS	C663-022D	C663-022D	C663-026D	C663-026D
25	BODY	VP400	VP401	DB506	DB507
	SERVICE KIT	D820	D830	D840	D850

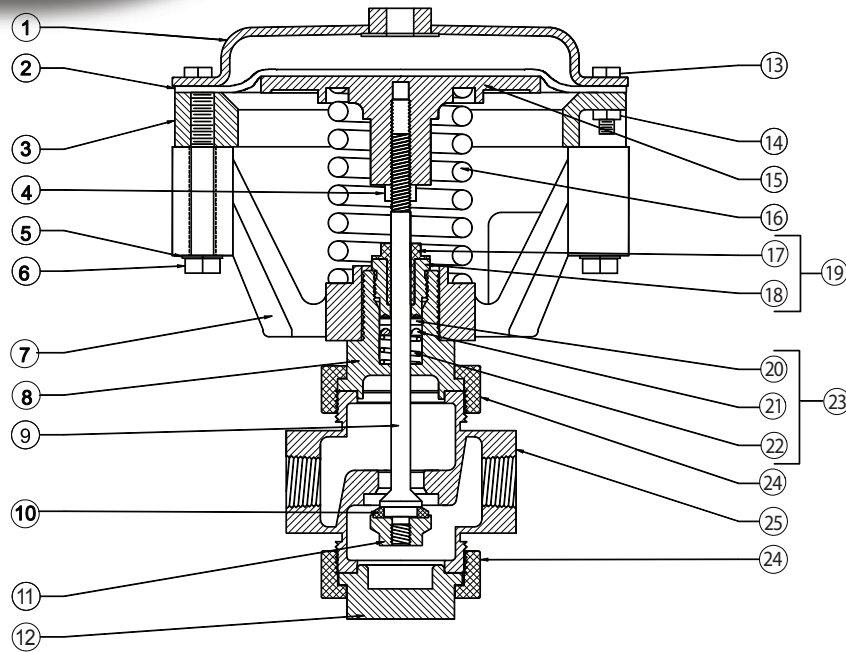
Cv Rating based on NPT threads • N/O is Normally Open and N/C is Normally Closed

Please contact us for more information at 330.724.9968 or visit us online at www.durbinvalve.com



DURBIN

INDUSTRIAL VALVE, INC.



2-WAY N/C 500 PSI					
	VALVE NUMBER	D28-21	D28-31	D28-41	D28-51
	Cv RATING	Cv 12.5	Cv 16	Cv 23.5	Cv 30.25
ITEM	DESCRIPTION	PART #	PART #	PART #	PART #
1	LID	C293-023D	C293-023D	C293-030D	C293-030D
2*	DIAPHRAGM	C333-053D	C333-053D	C333-051D	C333-051D
3	RING	C893-014D	C893-014D	C893-022D	C893-022D
4	STEM HEX NUT	C133-008D	C133-008D	-	-
5	LOCK WASHER	H175-21D	H175-21D	H175-21D	H175-21D
6	HEX BOLT	H096-55D	H096-55D	H096-48D	H096-48D
7	YOKE	D283-025D	D283-025D	D283-062D	D283-062D
8	PACKING GLAND	C113-058D	C113-058D	C013-008D	C013-008D
9	STEM	D093-024D	D093-024D	D093-025D	D093-025D
10*	SEAL	C343-12 VP	C343-12 VP	C343-35D	C343-35D
11	STEM NUT	C553-019D	C553-019D	C553-023D	C553-023D
12	BOTTOM CAP	C213-016D	C213-016D	C213-020D	C213-020D
13	HEX BOLT	H096-10D	H096-10D	H096-10D	H096-10D
14	HEX NUT	H060-03D	H060-03D	H060-03D	H060-03D
15	DIAPHRAGM PISTON	C783-044D	C783-044D	C783-069D	C783-069D
16*	DIAPHRAGM SPRING	D293-028-5D	D293-028-5D	D293-147-5D	D293-147-5D
17	PACKING NUT BUSHING	VP524	VP524	DF524	DF524
18	PACKING NUT	C853-090D	C853-090D	C563-009D	C563-009D
19	PACKING NUT ASSEMBLY	C853-092D	C853-092D	-	-
20*	PACKERS	C683-069D	C683-069D	H272-03D	H272-03D
21*	PACKING SPREADER	C713-012D	C713-012D	-	-
22*	PACKING SPRING	D293-104D	D293-104D	-	-
23	PACKING KIT	C242-015D	C242-015D	-	-
24	UNION NUTS	C663-022D	C663-022D	C663-026D	C663-026D
25	BODY	VP400	VP401	DB506	DB507
	SERVICE KIT	D821	D831	D841	D851

Cv Rating based on NPT threads • N/O is Normally Open and N/C is Normally Closed

Please contact us for more information at 330.724.9968 or visit us online at www.durbinvalve.com